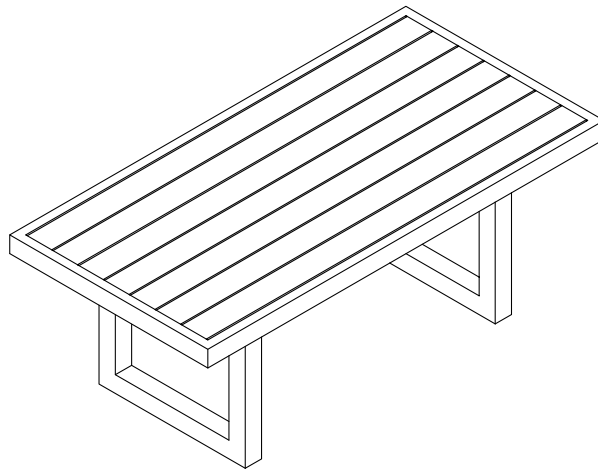
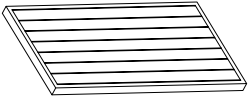
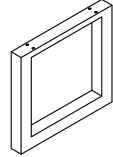




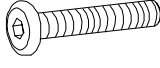


Outdoor Wicker Coffee Table
CO7225



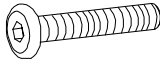

PART LIST

A 	B 
<p>Top Panel 1 PC</p>	<p>Leg 2 PCS</p>

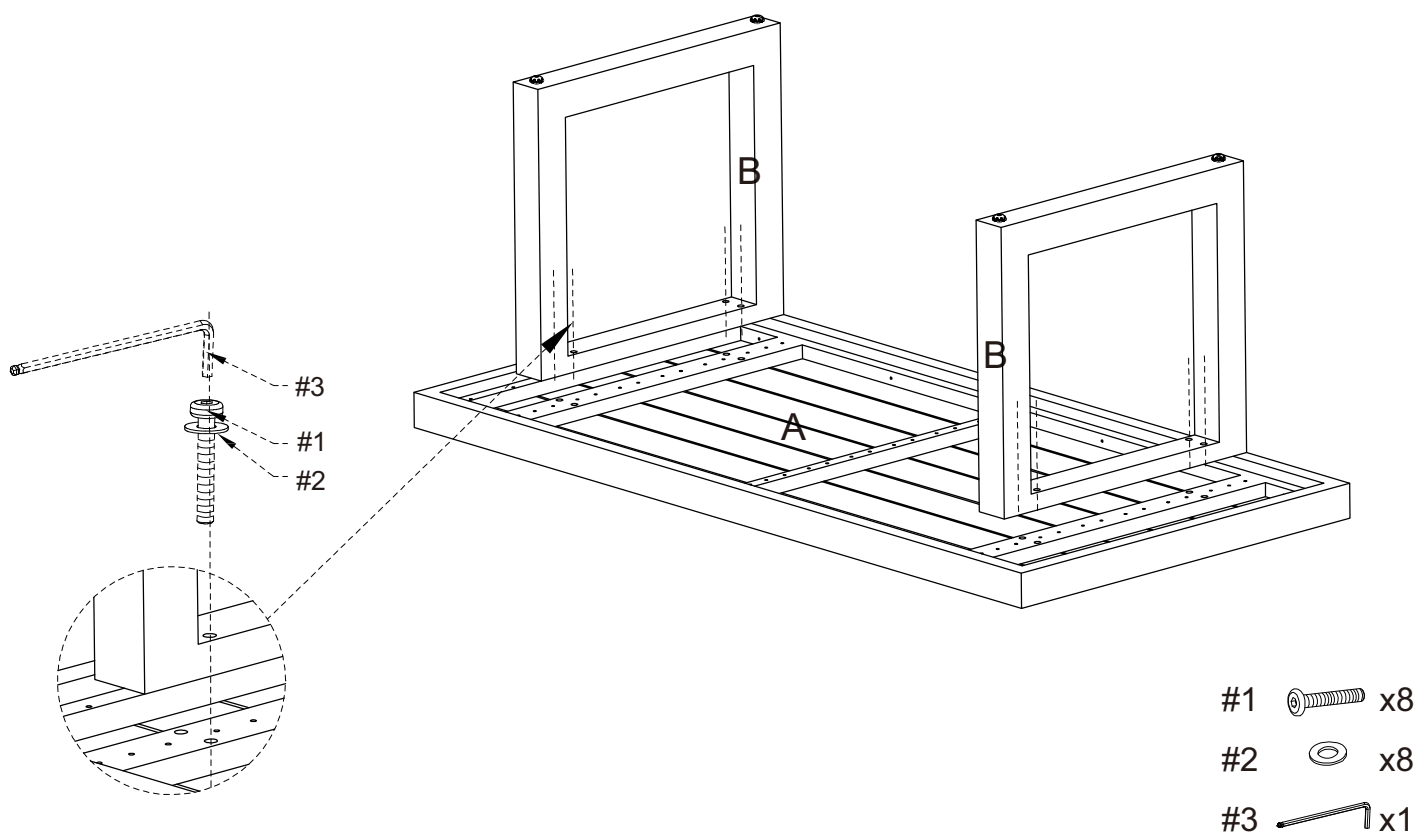
HARDWARE LIST

#1  <p>M6*35mm</p>	#2  <p>M6mm</p>	#3  <p>M6mm</p>
<p>Bolt 8 PCS</p>	<p>Washer 8 PCS</p>	<p>Allen Key 1 PC</p>

EXTRA HARDWARE LIST

#1  <p>M6*40mm</p>	#2  <p>M6mm</p>
<p>Bolt 1 PC</p>	<p>Washer 1 PC</p>

Step 1. Lay top panel (part A) down on a soft flat surface, such as carpet, as shown below. Attach legs (part B) to top panel (part A) using bolts (part #1), washers (part #2) and allen key (part #3).



Step 2. Carefully turn table upright.

